

BERGEN TOWNSHIP

Each township has six files containing six sections in each, and one file containing all 36 sections.

Bergen01to06.pdf

Bergen07to12.pdf

Bergen13to18.pdf

Bergen19to24.pdf

Bergen25to30.pdf

Bergen31to36.pdf

BergenAll36.pdf

The points are listed starting with the point above the SE corner and continuing in a counter-clockwise rotation around the section. This normally begins with the East point, Northeast, then North, but may also include Witness Corners, and/or Meander Corners.

Definitions

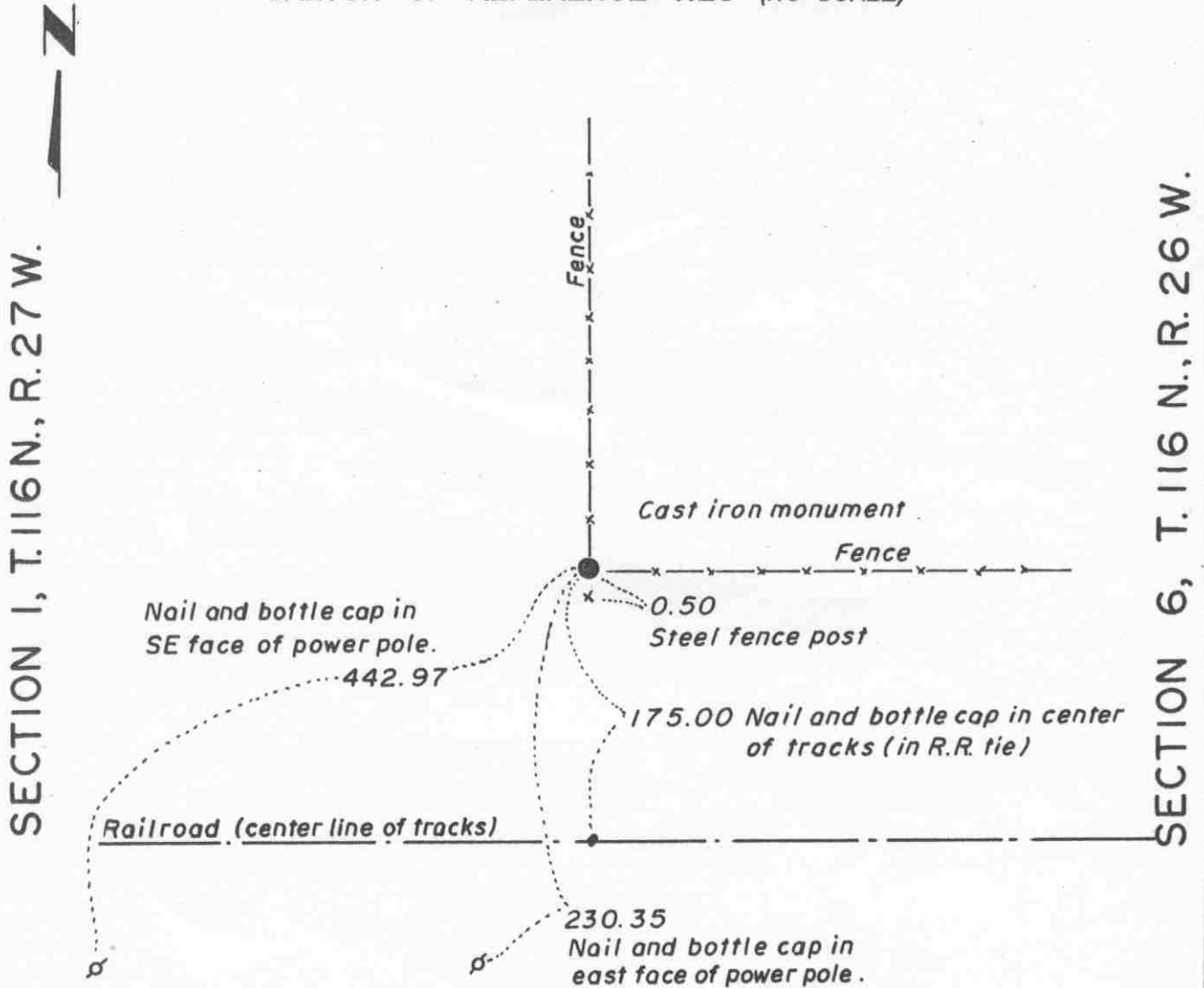
Witness Corner: A witness corner “stands in” when the true corner cannot be monumented or occupied because of difficult terrain or obstruction of the corner sight. The witness corner must be on the section line and is usually 5 or 10 chains away from the true corner.

Meander Corner: The intersection of a township, range, or section line and the banks of a navigable stream or meandering body of water.

Certificate of Location of Government Corner

East Quarter corner, Section 1, Township 116 North, Range 27 West

SKETCH OF REFERENCE TIES (NO SCALE)



Statement of evidence relative to this corner location on sheet 2

I hereby certify that this document was prepared by me or under my direct supervision.

Willard Pellinen

Willard Pellinen
McLeod County Surveyor
License No. 9626.

Date Feb. 4, 1995

OFFICE OF THE COUNTY RECORDER
MCLEOD COUNTY, MINNESOTA

I hereby certify that this document was filed in this office at 9 o'clock A. M. on the 6th day of February 19 95.

Carmen Otthi Mulder County Recorder

By _____, Deputy.

Document No. 264029

Certificate of Location of Government Corner

East Quarter Corner, Section 1 Township 116 North, Range 27 West

1855. John Ryan of the General Land Office established this corner. He set a post and marked a 14 inch elm and a 6 inch ash for bearing trees.

The railroad right of way maps show this corner being 175 feet north of the center line of the railroad tracks. The adjoining property owners have no knowledge regarding the location of this corner. Dickman Knutson, county surveyor, dug around the fence intersection which was 175 feet north of the railroad center line, fences north and east, but found no evidence of the corner.

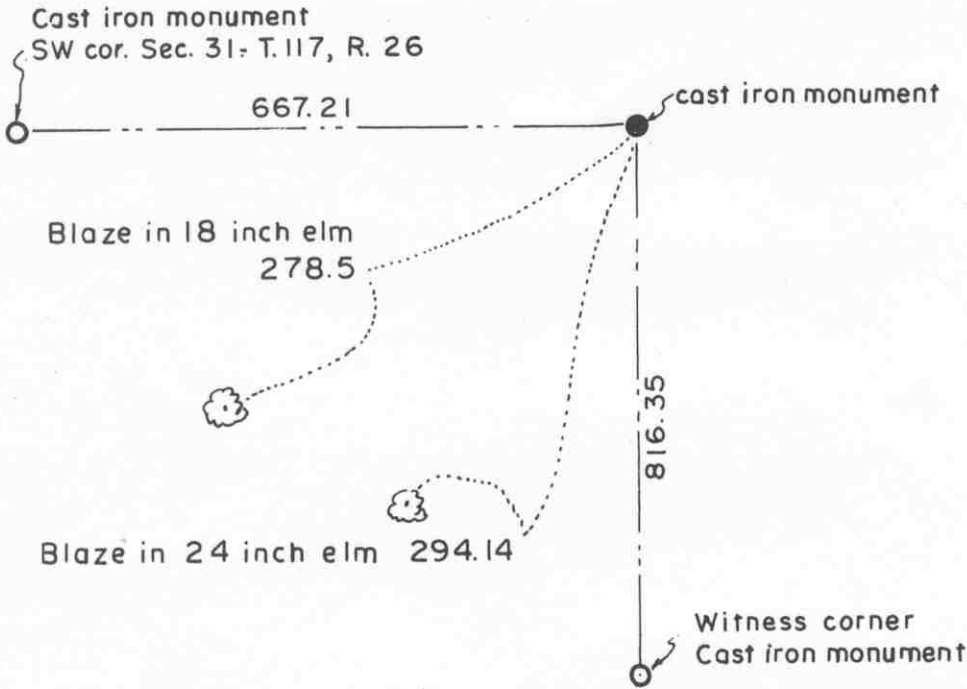
October 13, 1971. Knutson set a McLeod County cast iron monument at the fence intersection, 175 feet north of the railroad center line, and took available ties.

January 5, 1995. We checked the reference ties to the monument.

Certificate of Location of Government Corner

NORTHEAST corner, Section 1, Township 116 North, Range 27 West

SKETCH OF REFERENCE TIES (NO SCALE)



Statement of evidence relative to this corner location on sheet 2

I hereby certify that this document was prepared by me or under my direct supervision.

Willard Pellinen

Willard Pellinen
McLeod County Surveyor
License No. 9626.

Date Feb. 2, 1995

OFFICE OF THE COUNTY RECORDER
MCLEOD COUNTY, MINNESOTA

I hereby certify that this document was filed in this office at 9 o'clock A. M. on the 6th day of February, 19 95.

Carmen Kottli Mulder County Recorder

By _____, Deputy.

Document No. 264028

NORTHEAST corner, Section 1, Township 116 North, Range 27 West

Certificate of Location of Government Corner

1855.

This corner was not set by government. The corner fell in a marsh and John Ryan of the General Land Office set a witness corner on the south edge of the marsh along the east line of Section 1. Government distance from the witness corner to the northeast corner was 762.30 feet. Government distance from the northeast corner to the southeast corner of Section 31, Township 117, Range 27, was 591.36 feet;

August 25, 1971. McCombs Knutson Associates (Dickman Knutson, county surveyor) found a limestone monument at the witness corner. Knutson set a cast iron monument in place of the limestone and took available reference ties.

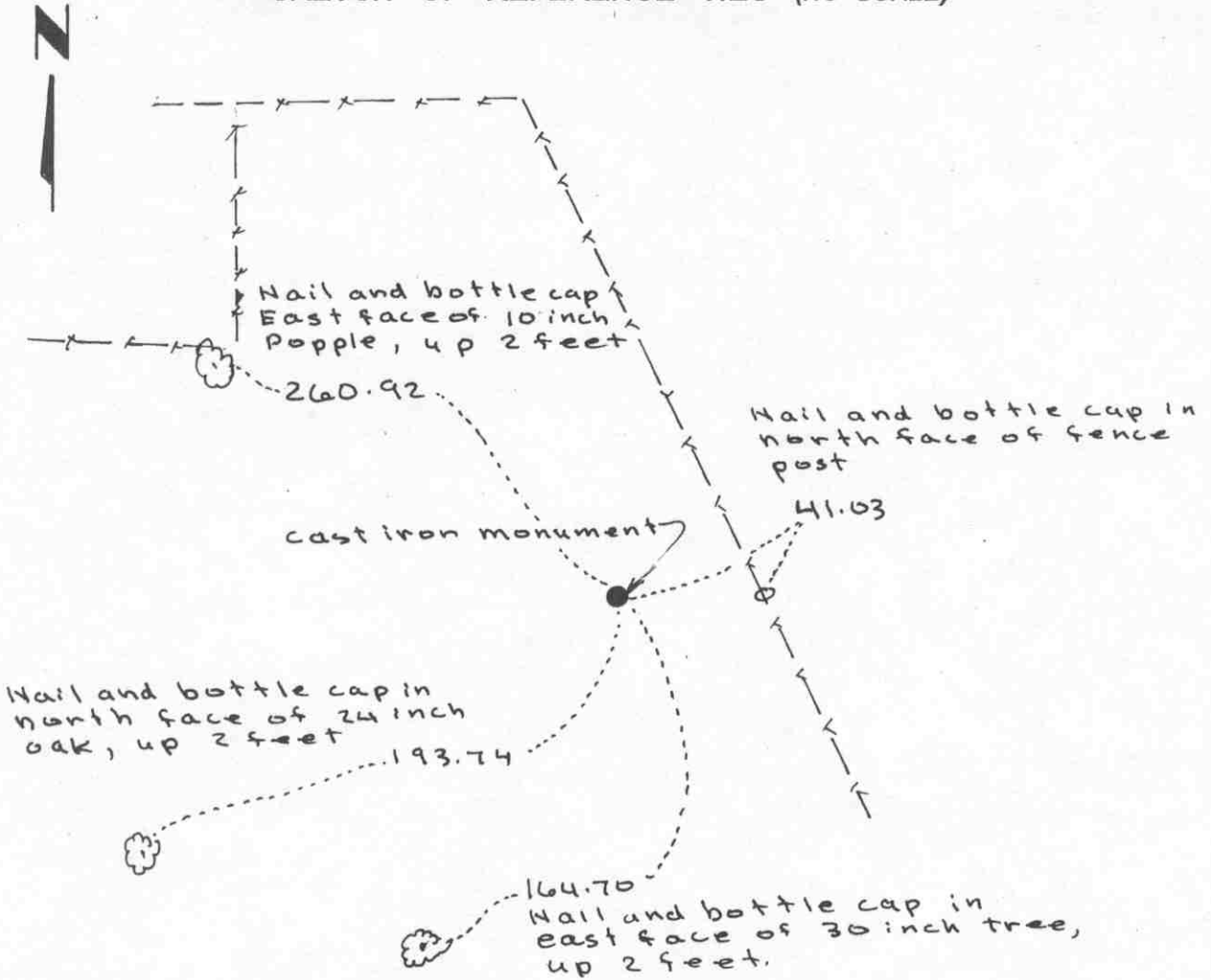
October 25, 1971. Knutson searched the area in the marsh on the northerly extension of the east line of Section 1 and the easterly extension of the southerly line of Section 31, but found nothing.

The Carver County Surveyor set a cast iron monument in the marsh to mark the northeast corner of Section 1. This is 816.35 feet north of the witness corner and 667.21 feet east of the southeast corner of Section 31.

Certificate of Location of Government Corner

North Quarter corner, Section 1 , Township 116 North, Range 27 West

SKETCH OF REFERENCE TIES (NO SCALE)



SECTION 1

Statement of evidence relative to this corner location on sheet 2

I hereby certify that this document was prepared by me or under my direct supervision.

Willard Pellinen
 Willard Pellinen
 McLeod County Surveyor
 License No. 9626.

Date March 6, 1995

OFFICE OF THE COUNTY RECORDER MCLEOD COUNTY, MINNESOTA

I hereby certify that this document was filed in this office at 9 o'clock A M. on the 16th day of March 19 95 .

Carmen O'Brien Mulder, County Recorder

By _____, Deputy.

Document No. 264722

Certificate of Location of Government Corner
North Quarter Corner, Section 1, Township 116 North, Range 27 West

March 14, 1980. We found an iron pipe at approximately half way between the section corners. This was along the north side of an old east-west fence. No property lines at the quarter corner. Same owner on all sides of the corner.

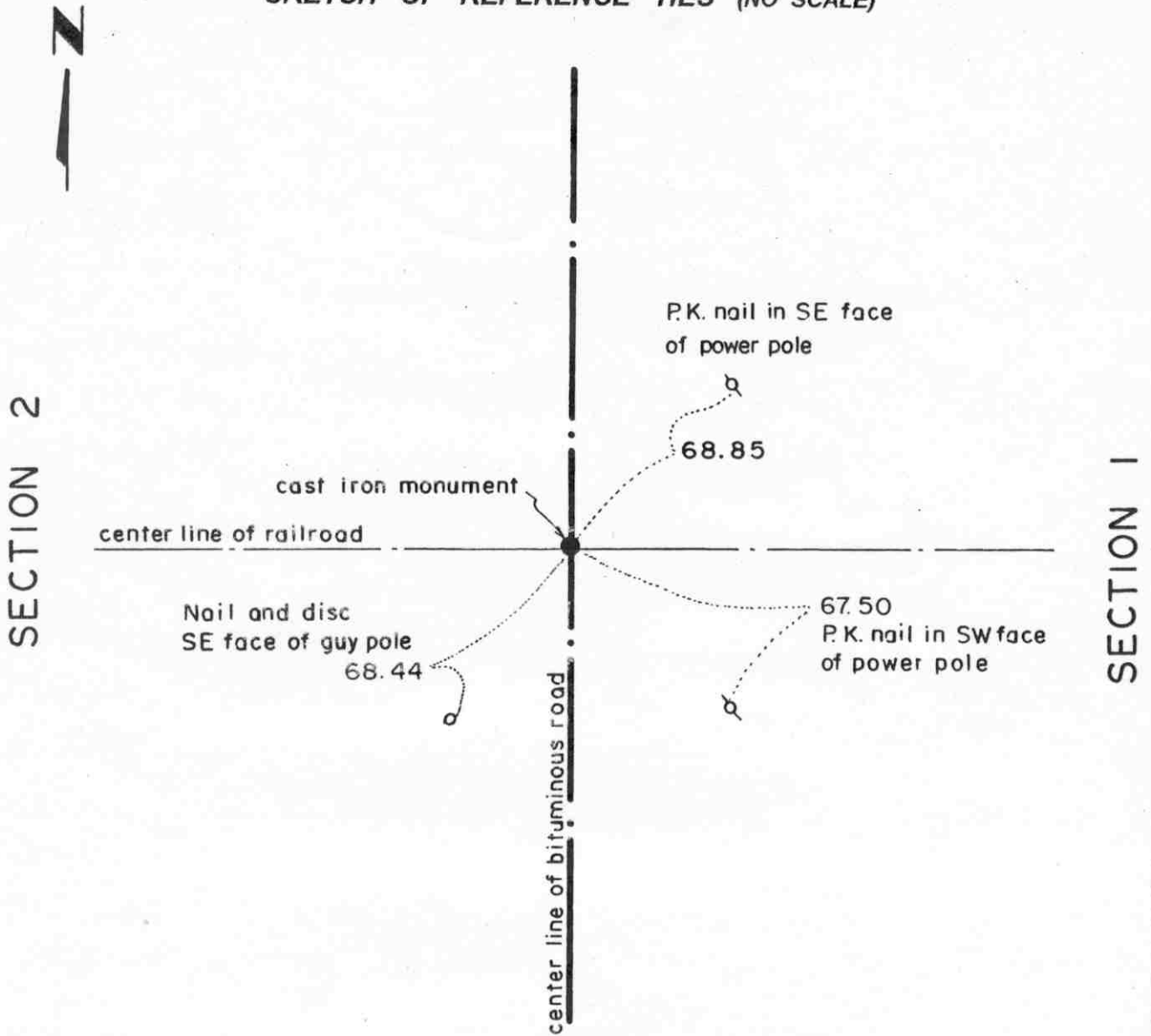
July 17, 1980. We replaced the found iron pipe with a McLeod County cast iron monument and took available reference ties.

January 5, 1995. We found the monument in good condition down 3 inches below the surface and took new reference ties.

Certificate of Location of Government Corner

EAST QUARTER corner, Section 2, Township 116 North, Range 27 West

SKETCH OF REFERENCE TIES (NO SCALE)



Statement of evidence relative to this corner location on sheet 2

I hereby certify that this document was prepared by me or under my direct supervision.

Willard Pellinen
Willard Pellinen
McLeod County Surveyor
License No. 9626.

Date August 26, 1994

**OFFICE OF THE COUNTY RECORDER
MCLEOD COUNTY, MINNESOTA**

I hereby certify that this document was filed in this office at 9 o'clock A M. on the 9th day of Sept 19 94.

Carmen Hotliel Mueller County Recorder

By _____, Deputy.

Document No. 261746

Certificate of Location of Government Corner

East Quarter Corner, Section 2, Township 116 North, Range 27 West

November, 1856. E. N. Darling of the General Land Office originally established this corner. He set a post and marked 2 6 inch aspens for bearing trees.

Railroad right of way map shows the corner to be on the center line of the railroad.

May 21, 1974. Dickman Knutson, county surveyor, replaced a found 1/2 inch diameter iron pipe with a Mcleod County cast iron monument and took available reference ties.

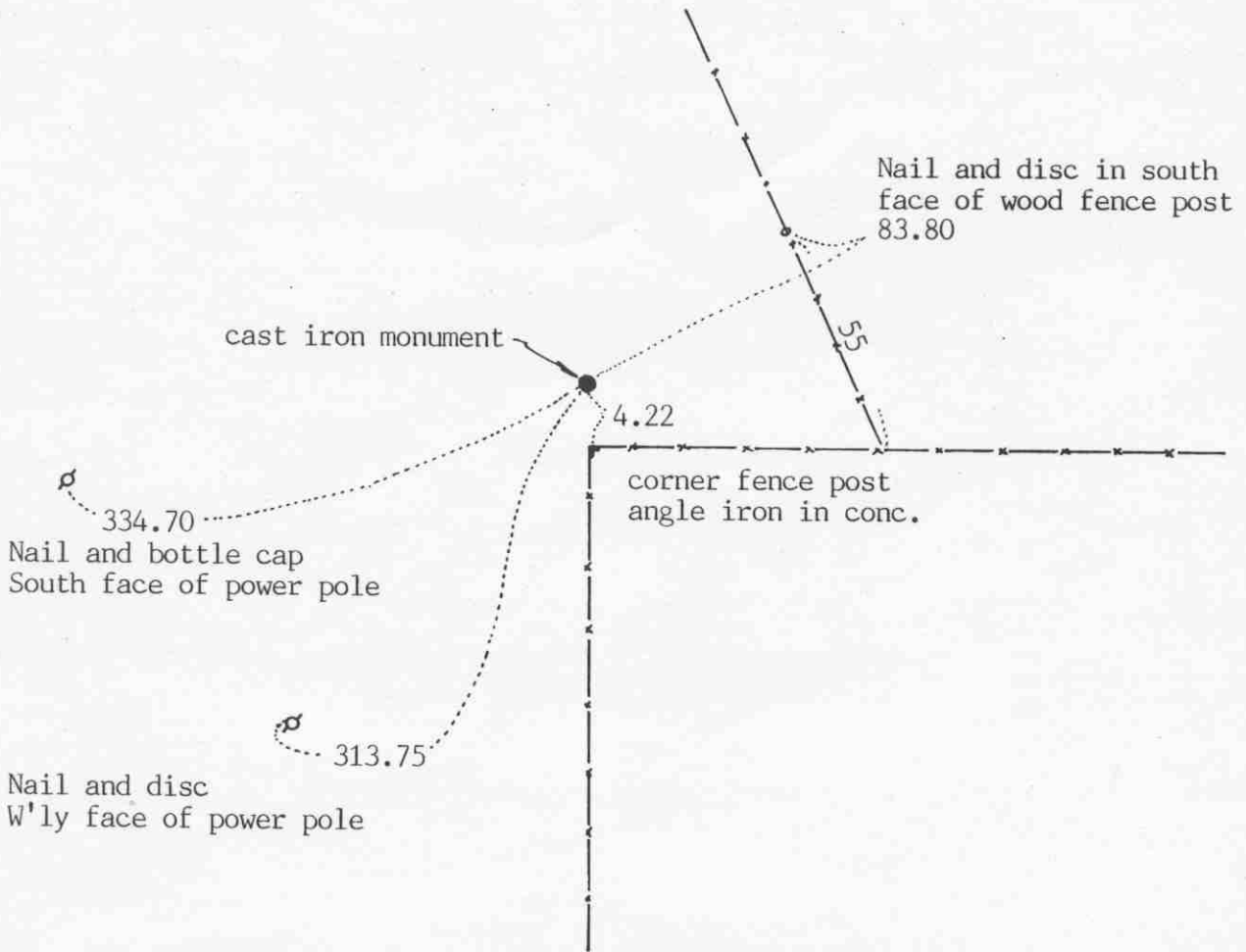
August 23, 1994. We found the monument in good condition and checked the reference ties. This monument is about 22 feet south and 1 1/2 feet west of a lost position for this corner.

The monument set by Knutson is accepted as marking the correct location of the quarter corner. It fits long standing occupation lines (the center lines of the railroad and Highway 261) and it perpetuates the location of an older monument.

NORTHEAST corner, Section 2, Township 116 North, Range 27 West

Certificate of Location of Government Corner

SKETCH OF REFERENCE TIES (NO SCALE)



Statement of evidence relative to this corner location on sheet 2

I hereby certify that this document was prepared by me or under my direct supervision.

Willard Pellinen

Willard Pellinen
McLeod County Surveyor
License No. 9626

Date Jan. 9, 1991

OFFICE OF THE COUNTY RECORDER MCLEOD COUNTY, MINNESOTA.

I hereby certify that this document was filed in this office at 3 o'clock P.M. on the 15th day of Jan, 1991.

Carmen Ostlie, County Recorder

By _____, Deputy

Document No. 237103

NORTHEAST _____ corner, Section 2, Township 116 North, Range 27 West

Certificate of Location of Government Corner

1855. This corner was originally set by John Ryan of the General Land Office. He set a post and marked 2 aspens for bearing trees.

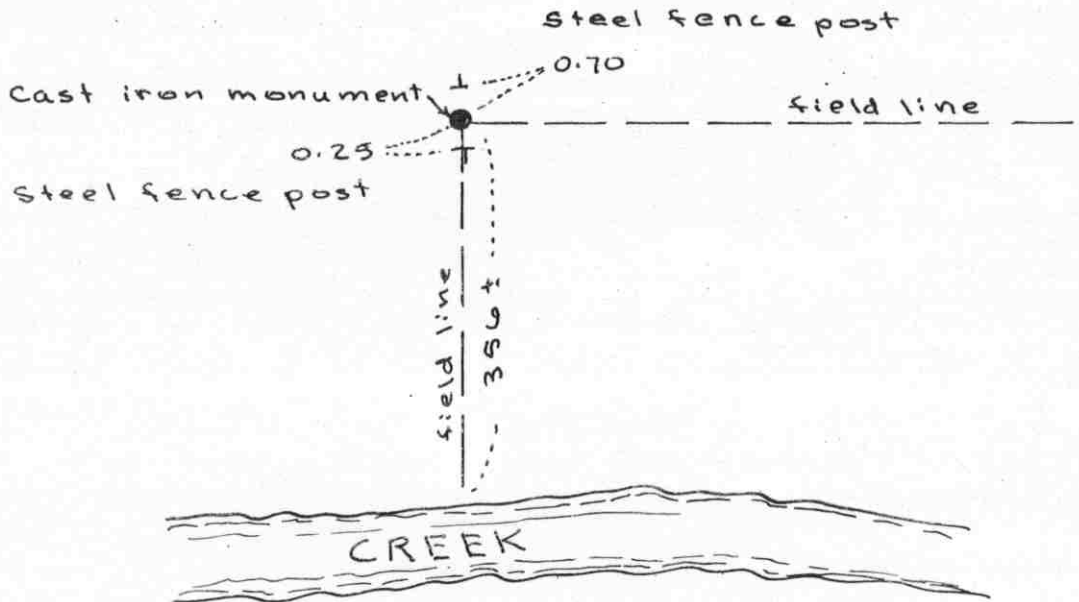
November 23, 1968. McCombs Knutson Associates (Dickman Knutson, county surveyor) found an iron pin at the fence intersection. Fences running south and east. They replaced the iron pin with a McLeod County cast iron monument and took reference ties.

November 14, 1989. We reset the monument, 3.98 feet north to the standard parallel, and took new reference ties. We measured 559.01 feet to the southeast corner of Section 35, Township 117, Range 27, compared with a distance of 8.60 chains (567 feet) by the Government in 1855.

Certificate of Location of Government Corner

North Quarter corner, Section 2 , Township 116 North, Range 27 West

SKETCH OF REFERENCE TIES (NO SCALE)



SECTION 2

Statement of evidence relative to this corner location on sheet 2

I hereby certify that this document was prepared by me or under my direct supervision.

Willard Pellinen

Willard Pellinen
McLeod County Surveyor
License No. 9626.

Date Jan. 9, 1995

OFFICE OF THE COUNTY RECORDER
MCLEOD COUNTY, MINNESOTA

I hereby certify that this document was filed in this office at 9 o'clock A. M. on the 13th day of January 19 95.

Carmin DeLia Mulder, County Recorder

By _____, Deputy.

Document No. 263713

NORTH QUARTER corner, Section 2, Township 116 North, Range 27 West

Certificate of Location of Government Corner

1970. McCombs Knutson Associates (Dickman Knutson, county surveyor) found a wood stake on the northerly extension of Maple Street in Lester Prairie, on line between the south quarter corner and the southeast corner of Section 35, Township 117, Range 27. (on the standard parallel) This is approximately 11 feet west of a split between the northeast and northwest corners of Section 2.

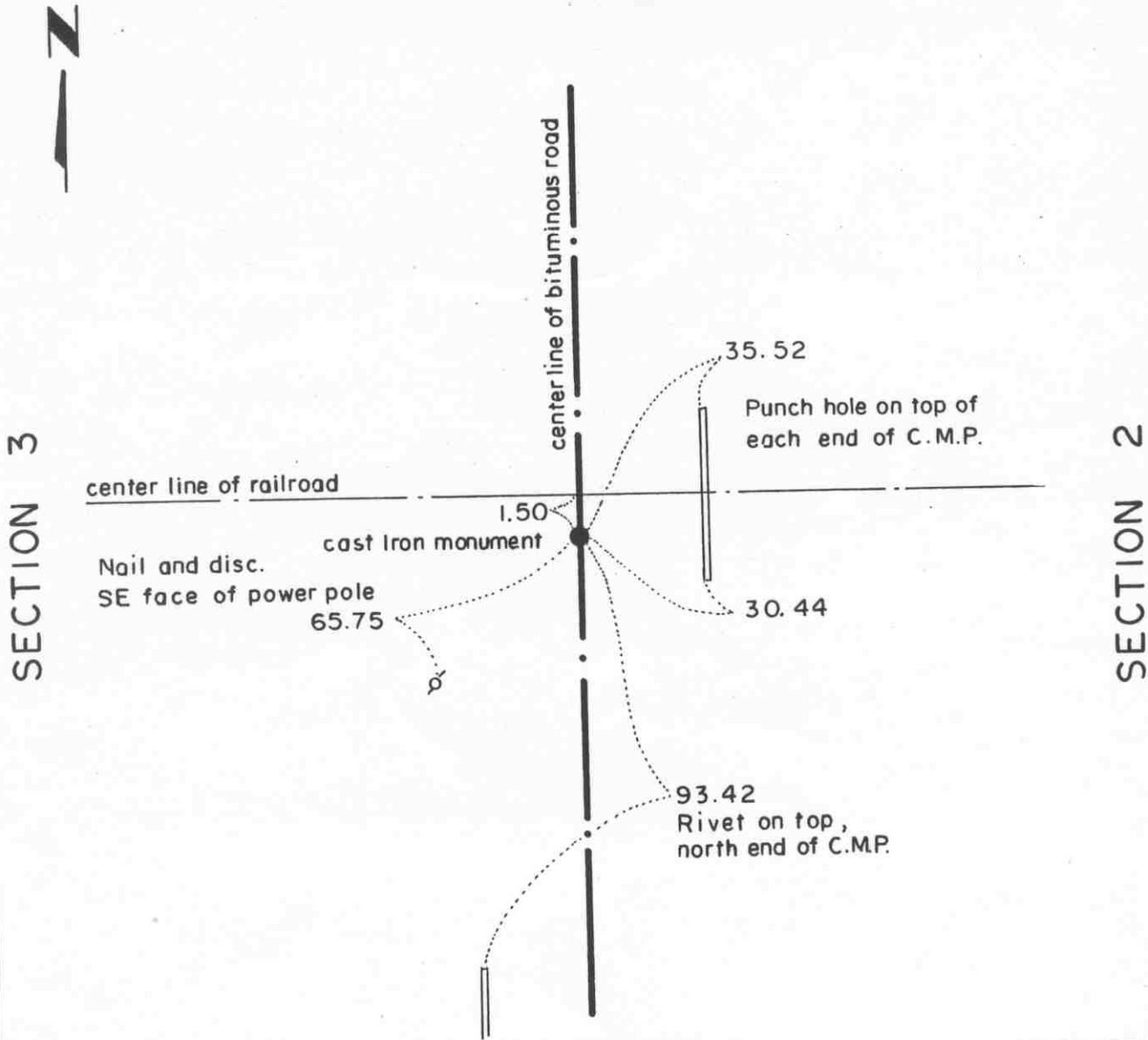
August 27, 1970. Knutson set a McLeod County cast iron monument in place of the wood stake and took available reference ties.

January 3, 1995. We found the monument in good condition and checked the reference ties.

Certificate of Location of Government Corner

EAST QUARTER corner, Section 3, Township 116 North, Range 27 West

SKETCH OF REFERENCE TIES (NO SCALE)



Statement of evidence relative to this corner location on sheet 2

I hereby certify that this document was prepared by me or under my direct supervision.

Willard Pellinen
 Willard Pellinen
 McLeod County Surveyor
 License No. 9626.

Date August 26, 1994

OFFICE OF THE COUNTY RECORDER
 MCLEOD COUNTY, MINNESOTA

I hereby certify that this document was filed in this office at 9 o'clock A.M. on the 9th day of Sept 1994.

Carmen Oetke Mulder, County Recorder

By _____, Deputy.

Document No. 261748

Certificate of Location of Government Corner

East Quarter Corner, Section 3, Township 116 North, Range 27 West †

November, 1856. E. N. Darling of the General Land Office originally established this corner. He set a post and marked a 6 inch and an 8 inch aspen for bearing trees.

March 21, 1974. Dickman Knutson, county surveyor, set a spike 1.50 feet north of the center line of the railroad, as shown on the railroad right of way map.

August 15, 1974. Knutson set a McLeod County cast iron monument and took available reference ties.

August 23, 1994. We found the monument in good condition and checked the reference ties.

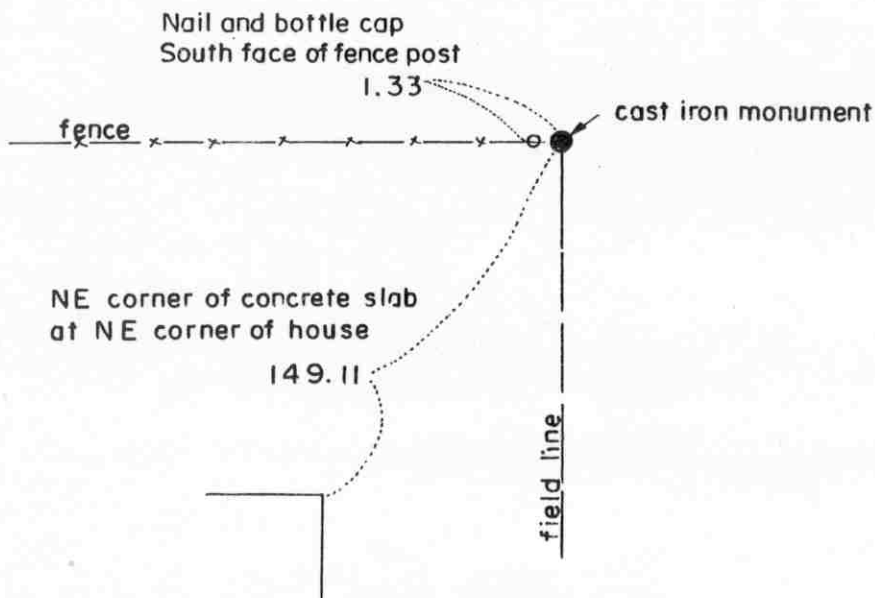
Certificate of Location of Government Corner

NORTHEAST corner, Section 3, Township 116 North, Range 27 West

SKETCH OF REFERENCE TIES (NO SCALE)

SECTION 35 T. 117 R. 27

Monument is 0.47 south of standard parallel



T. 116 R. 27

SECTION 3

SECTION 2

Statement of evidence relative to this corner location on sheet 2

I hereby certify that this document was prepared by me or under my direct supervision.

Willard Pellinen
Willard Pellinen
McLeod County Surveyor
License No. 9626.

Date August 26, 1994

OFFICE OF THE COUNTY RECORDER
MCLEOD COUNTY, MINNESOTA

I hereby certify that this document was filed in this office at 9 o'clock A.M. on the 9th day of Sept 19 94.

Carmen Estlie Mulder, County Recorder

By _____, Deputy.

Document No. 261747

Certificate of Location of Government Corner

Northeast Corner, Section 3, Township 116 North, Range 27 West

1855. John Ryan of the General Land Office first established this corner.

1931. State Highway No. 261 right of way map shows an iron pin at the corner.

November, 1968. Dickman Knutson, county surveyor, found an iron pin at the fence intersection, fences east, west and south. Knutson replaced the iron pin with a Mcleod County cast iron monument and took reference ties.

November 9, 1988. We found the monument in good condition 0.47 feet south of the standard parallel. We left the monument in place.

August 23, 1994. We found monument in good condition down 0.3 feet below the surface and checked the reference ties.

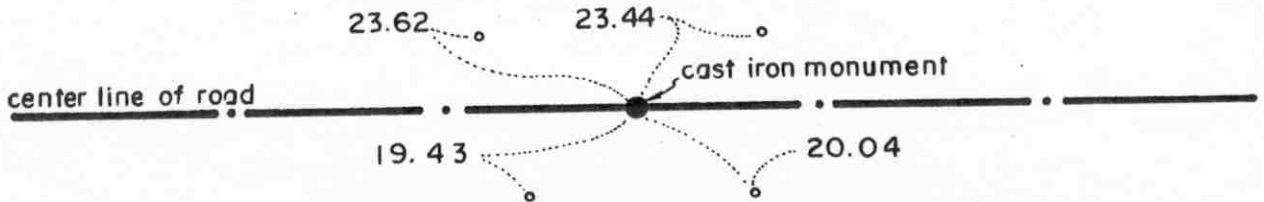
Certificate of Location of Government Corner

North Quarter corner, Section 3, Township 116 North, Range 27 West

SKETCH OF REFERENCE TIES (NO SCALE)



Ties are 1/2 inch diam. iron pipes
on shoulders of the road



Monument is 1.99 feet south
of standard parallel

field line

Statement of evidence relative to this corner location on sheet 2

I hereby certify that this document
was prepared by me or under my
direct supervision.

Willard Pellinen

Willard Pellinen
McLeod County Surveyor
License No. 9626.

Date Sept. 6, 1994

OFFICE OF THE COUNTY RECORDER MCLEOD COUNTY, MINNESOTA

I hereby certify that this document was filed in this office at 9
o'clock A M. on the 9th day of Sept
19 94.

Carmen Helio Mulder, County Recorder

By _____, Deputy.

Document No. 261749

NORTH QUARTER corner, Section 3, Township 116 North, Range 27 West

Certificate of Location of Government Corner

November 22, 1968. McCombs Knutson Associates (Dickman Knutson, county surveyor) found an iron pipe in the center line of the east-west road in line with a fence to the south.

Knutson replaced the iron pipe with a McLeod County cast iron pipe and took reference ties.

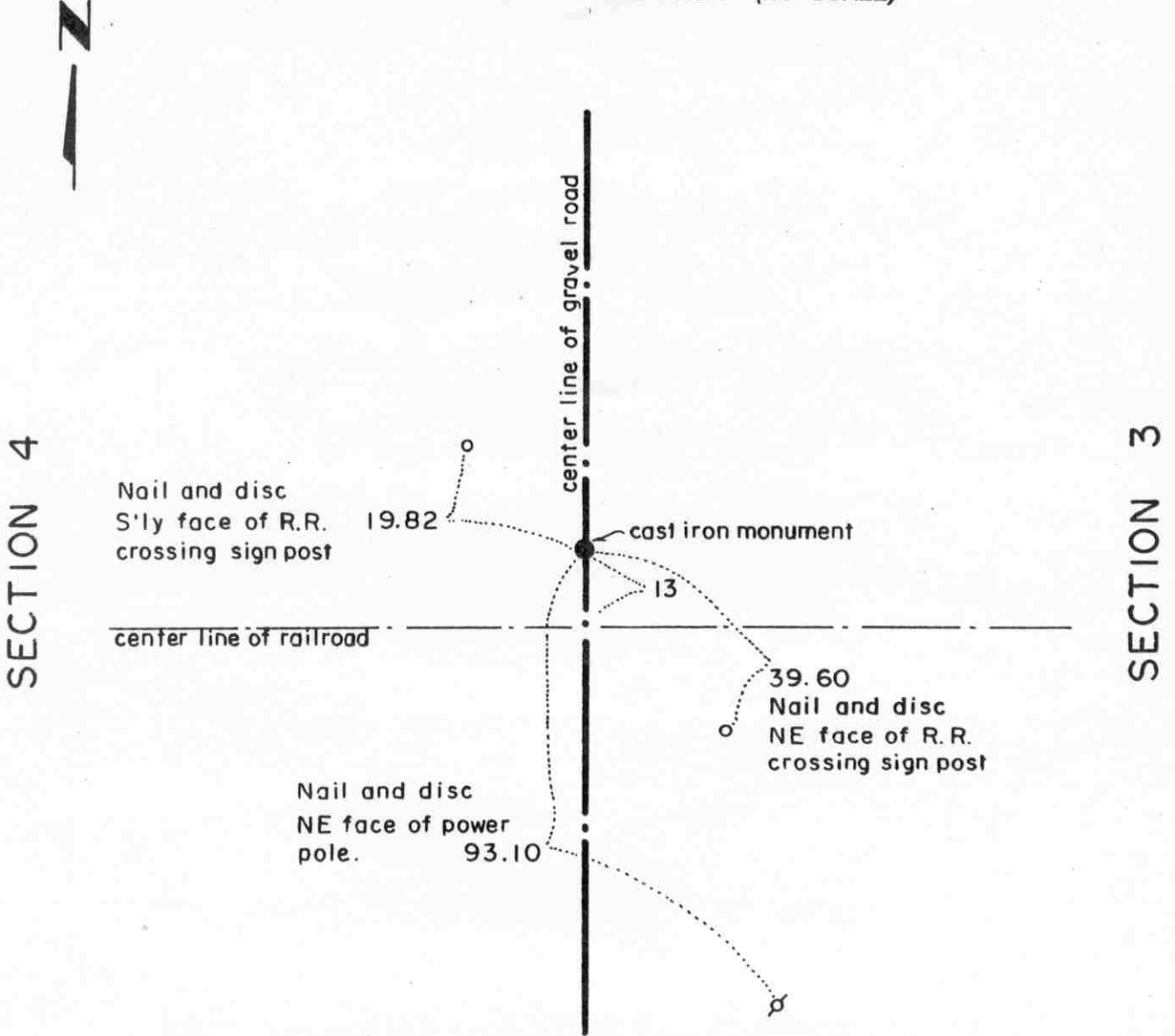
November 7, 1988. We found the monument in good condition and found it to be 1.99 feet south of the standard parallel. We measured 518.32 feet to the south quarter corner of Section 34, Township 117, Range 27.

August 23, 1994. We found the bottom of the monument in good condition down 8 inches below the surface of the road. The top of the monument had been broken off. No old ties remaining so we took new ties to iron pipes on the shoulder of the road.

Certificate of Location of Government Corner

EAST QUARTER corner, Section 4, Township 116 North, Range 27 West

SKETCH OF REFERENCE TIES (NO SCALE)



Statement of evidence relative to this corner location on sheet 2

I hereby certify that this document was prepared by me or under my direct supervision.

Willard Pellinen
Willard Pellinen
McLeod County Surveyor
License No. 9626.

Date August 25, 1994

OFFICE OF THE COUNTY RECORDER
MCLEOD COUNTY, MINNESOTA

I hereby certify that this document was filed in this office at 9 o'clock A. M. on the 9th day of Sept 19 94

Carmen Estlie Mulder County Recorder

By _____, Deputy.

Document No. 261751

Certificate of Location of Government Corner

East Quarter Corner, Section 4, Township 116 North, Range 27 West

November, 1856. E. N. Darling of the General Land Office set a post and marked an 8 inch and a 12 inch linden for bearing trees.

January 31, 1973. Dickman Knutson, county surveyor, excavated for the corner and found an iron pipe 13 feet north of the center line of the railroad as shown on the railroad right of way plans.

Knutson replaced the iron pipe with a McLeod County cast iron monument and took reference ties.

This is about 10 feet south and 5 feet west of a lost position for this corner.

August 23, 1994. We found the monument in good condition and checked the reference ties.

Certificate of Location of Government Corner

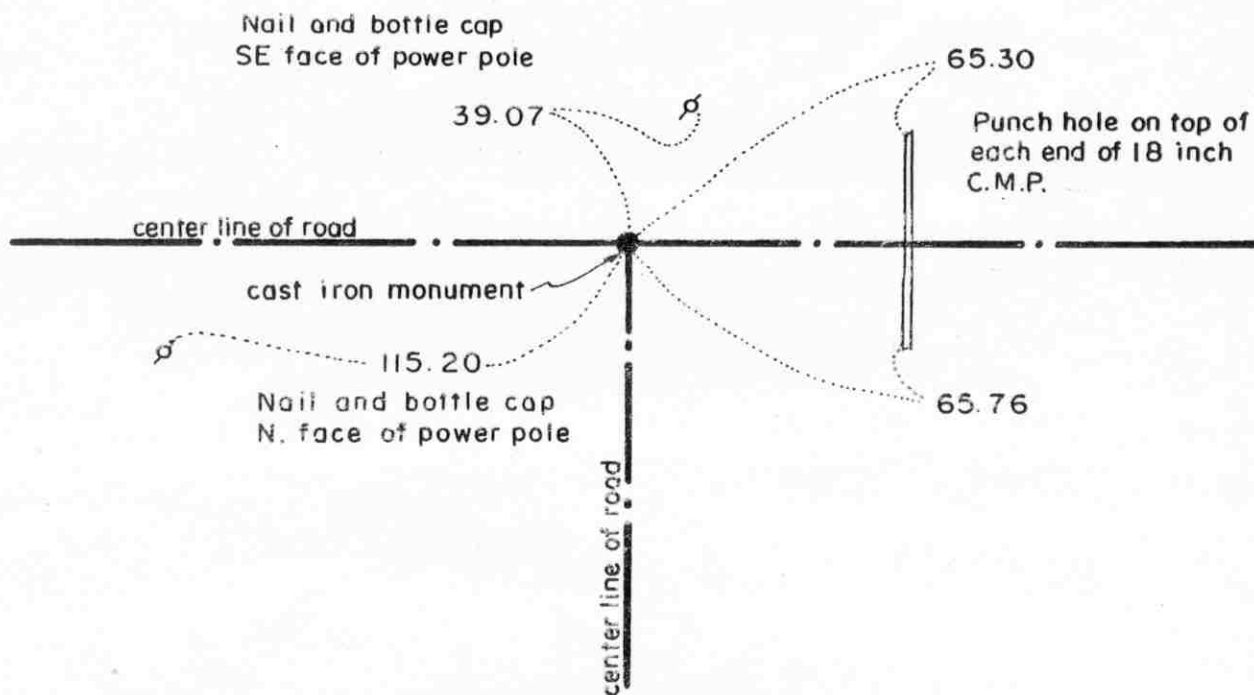
NORTHEAST corner, Section 4, Township 116 North, Range 27 West

SKETCH OF REFERENCE TIES (NO SCALE)

T. 117, R. 27



Monument is 0.28 south of Standard Parallel



T. 116, R. 27

SECTION 4

SECTION 5

Statement of evidence relative to this corner location on sheet 2

I hereby certify that this document was prepared by me or under my direct supervision.

Willard Pellinen

Willard Pellinen
McLeod County Surveyor
License No. 9626.

Date Sept. 6, 1994

OFFICE OF THE COUNTY RECORDER
MCLEOD COUNTY, MINNESOTA

I hereby certify that this document was filed in this office at 9 o'clock A. M. on the 9th day of Sept 19 94.

Carmin Otis Melder, County Recorder

By _____, Deputy.

Document No. 261750

NORTHEAST corner, Section 4, Township 116 North, Range 27 West

Certificate of Location of Government Corner

1856. This corner was originally set by E. N. Darling of the General Land Office. He set a post and marked a 6 inch and a 15 inch elm for bearing trees. He measured 7.84 chains (517.44 feet) to the southwest corner of Section 34, Township 117, Range 27.

November 22, 1968. McCombs Knutson Associates (Dickman Knutson, county surveyor) set a temporary corner on the center line intersection of the roads. Roads east-west and south.

1970. Knutson dug for the corner (John Tupa from Hutchinson with a backhoe) They found a stone and a wood stake down below the original road bed. They took reference ties. Mr. Ortwin Seamann, road boss when the road was rebuilt, said he found a stone at most of the government corners in this road.

May 6, 1988. We found the monument in good condition and found it to be 0.27 feet south of the standard parallel and 528.84 feet east of the southwest corner of Section 34.

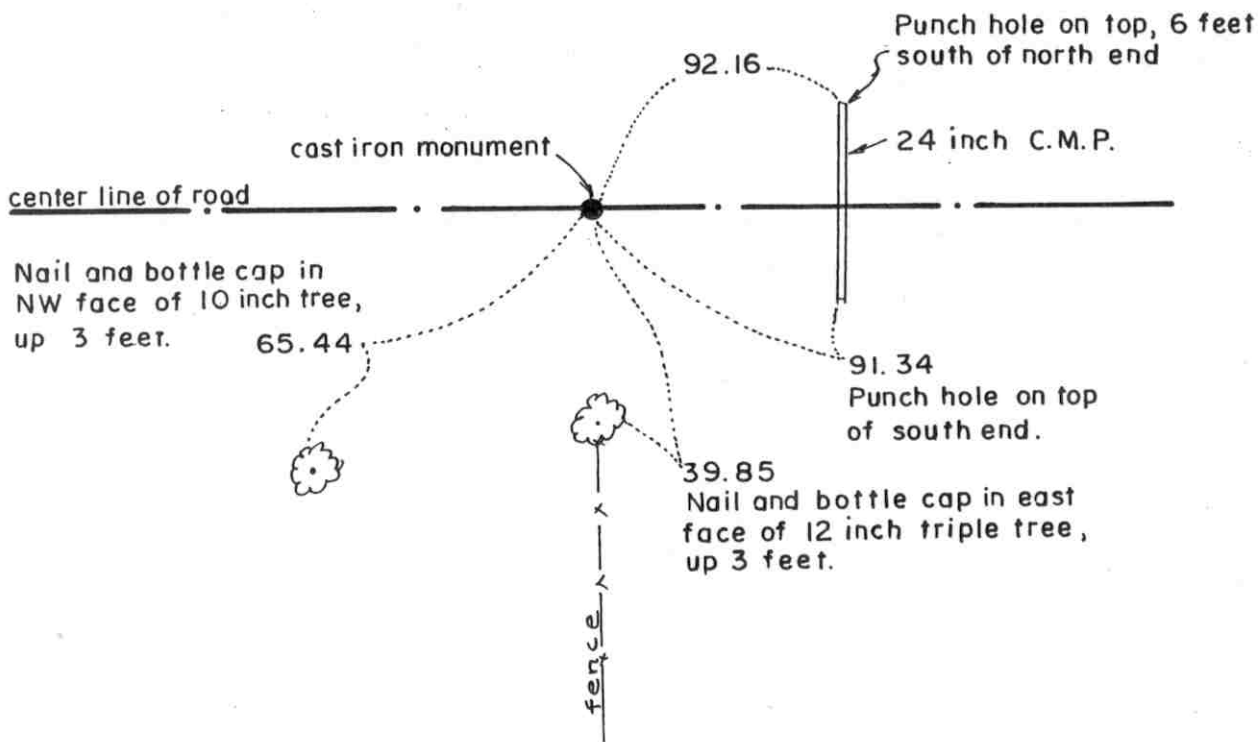
August 23, 1994. We found the monument in good condition down 8 inches below the surface of the road and took new available reference ties.

NORTH QUARTER corner, Section 4, Township 116 North, Range 27 West

Certificate of Location of Government Corner

SKETCH OF REFERENCE TIES

(NO SCALE)



Statement of evidence relative to this corner location on sheet 2

I hereby certify that this document was prepared by me or under my direct supervision.

Willard Pellinen

Willard Pellinen
McLeod County Surveyor
License No. 9626

Date Jan. 4, 1995

OFFICE OF THE COUNTY RECORDER
MCLEOD COUNTY, MINNESOTA.

I hereby certify that this document was filed in this office at 9 o'clock A. M. on the 10th day of January, 19 95.

Armin Otho Mulder County Recorder

By _____, Deputy

Document No. 263629

NORTH QUARTER corner, Section 4, Township 116 North, Range 27 West

Certificate of Location of Government Corner

November 22, 1968. McCombs Knutson Associates (Dickman Knutson, county surveyor) set a temporary quarter corner on the center line of the east-west road on line with a fence to the south.

1970. Knutson dug for the corner, John Tupa from Hutchinson with a backhoe. They found a stone down below the old road bed in the original ground. They took available ties. Mr. Ortwin Seamann, road boss when the road was rebuilt, said there were stones at most of the corners along this road. Knutson set a McLeod County cast iron monument.

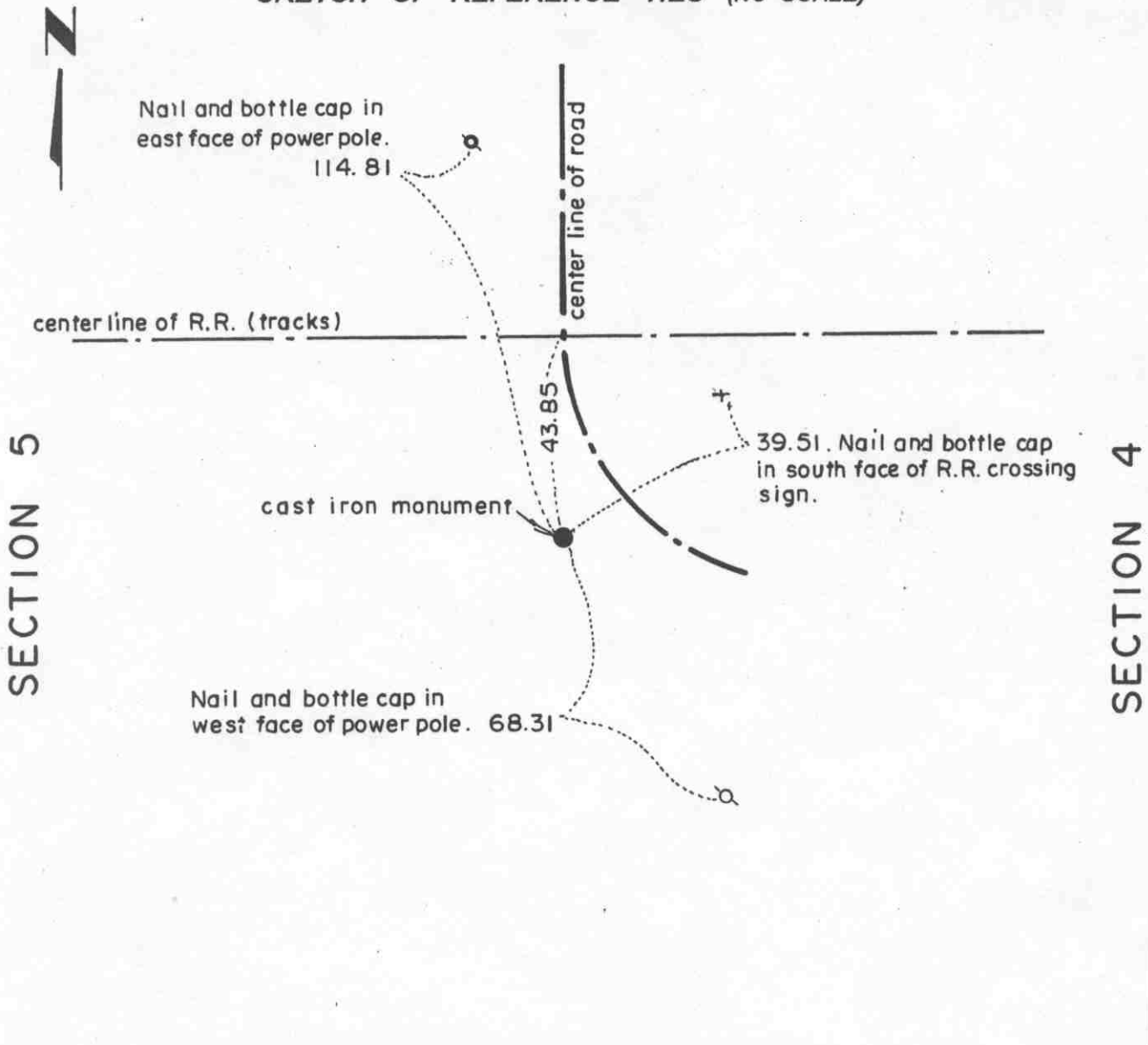
May 6, 1988. We found the monument in good condition. We found it to be within 0.34 feet of being half way between the northeast and northwest quarter corners of Section 4. It was 0.11 feet north of the standard parallel.

January 3, 1995. We took new reference ties to the monument.

Certificate of Location of Government Corner

East Quarter corner, Section 5, Township 116 North, Range 27 West

SKETCH OF REFERENCE TIES (NO SCALE)



Statement of evidence relative to this corner location on sheet 2

I hereby certify that this document was prepared by me or under my direct supervision.

Willard Pellinen
 Willard Pellinen
 McLeod County Surveyor
 License No. 9626.

Date Jan. 4, 1995

**OFFICE OF THE COUNTY RECORDER
 MCLEOD COUNTY, MINNESOTA**

I hereby certify that this document was filed in this office at 9 o'clock A. M. on the 6th day of February, 19 95.

Carmen Ottilie Mulder, County Recorder

By _____, Deputy.

Document No. 264030

Certificate of Location of Government Corner

East Quarter Corner, Section 5 Township 116 North, Range 27 West

November, 1856. E. N. Darling of the General Land Office established this corner. He set a post and marked a 7 inch elm and a 6 inch butternut for bearing trees.

January 31, 1973. Dickman Knutson, county surveyor, set an iron pipe along the center line of the north-south road, 44 feet south of the center line of the railroad as per railroad right of way map.

August 15, 1974. Knutson replaced the iron pipe with a McLeod County cast iron monument and took available reference ties.

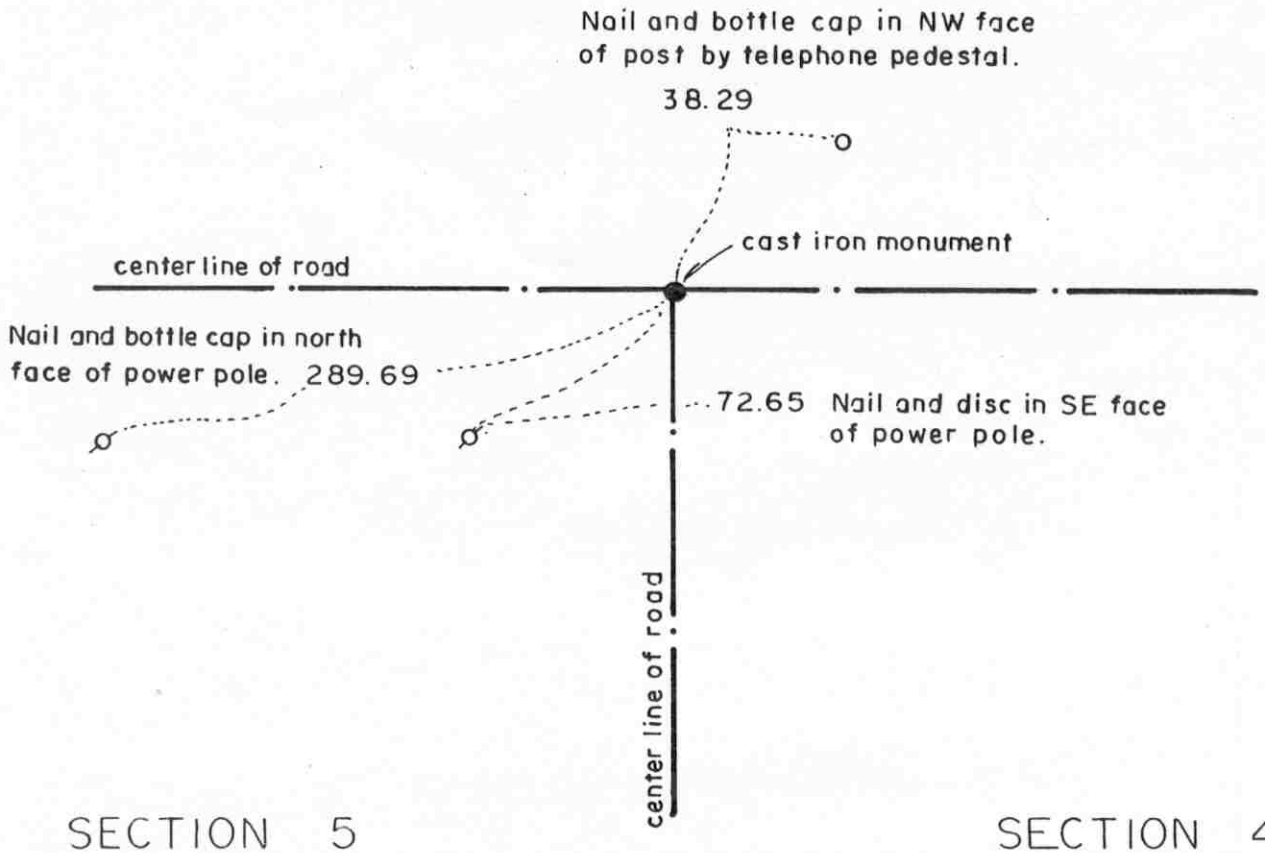
This corner is 46.90 feet south and 23.82 feet west of a lost position for the corner.

January 3, 1995. We took new reference ties to the monument.

NORTHEAST corner, Section 5, Township 116 North, Range 27 West

Certificate of Location of Government Corner

SKETCH OF REFERENCE TIES
(NO SCALE)



SECTION 5

SECTION 4

Statement of evidence relative to this corner location on sheet 2

I hereby certify that this document was prepared by me or under my direct supervision.

Willard Pellinen
Willard Pellinen
McLeod County Surveyor
License No. 9626

Date Jan. 4, 1995

OFFICE OF THE COUNTY RECORDER
MCLEOD COUNTY, MINNESOTA.

I hereby certify that this document was filed in this office at 9 o'clock A.M. on the 10th day of January, 1995.

Carmin Otthe Mulder County Recorder

By _____, Deputy

Document No. 263630

NORTHEAST corner, Section 5, Township 116 North, Range 27 West

Certificate of Location of Government Corner

1856. E. N. Darling of the General Land Office originally established this corner. He set a post and marked a 14 inch and a 20 inch linden for bearing trees. He measured 7.80 chains (514.80 feet) to the southwest corner of Section 33, Township 117, Range 27.

November 22, 1968. McCombs Knutson Associates (Dickman Knutson, county surveyor) set a temporary corner along the center line of the east-west road and the center line of the road running south.

1970. Knutson dug at the temporary corner and found a wood post down in the original ground. Knutson took available reference ties and set a McLeod County cast iron monument at the corner.

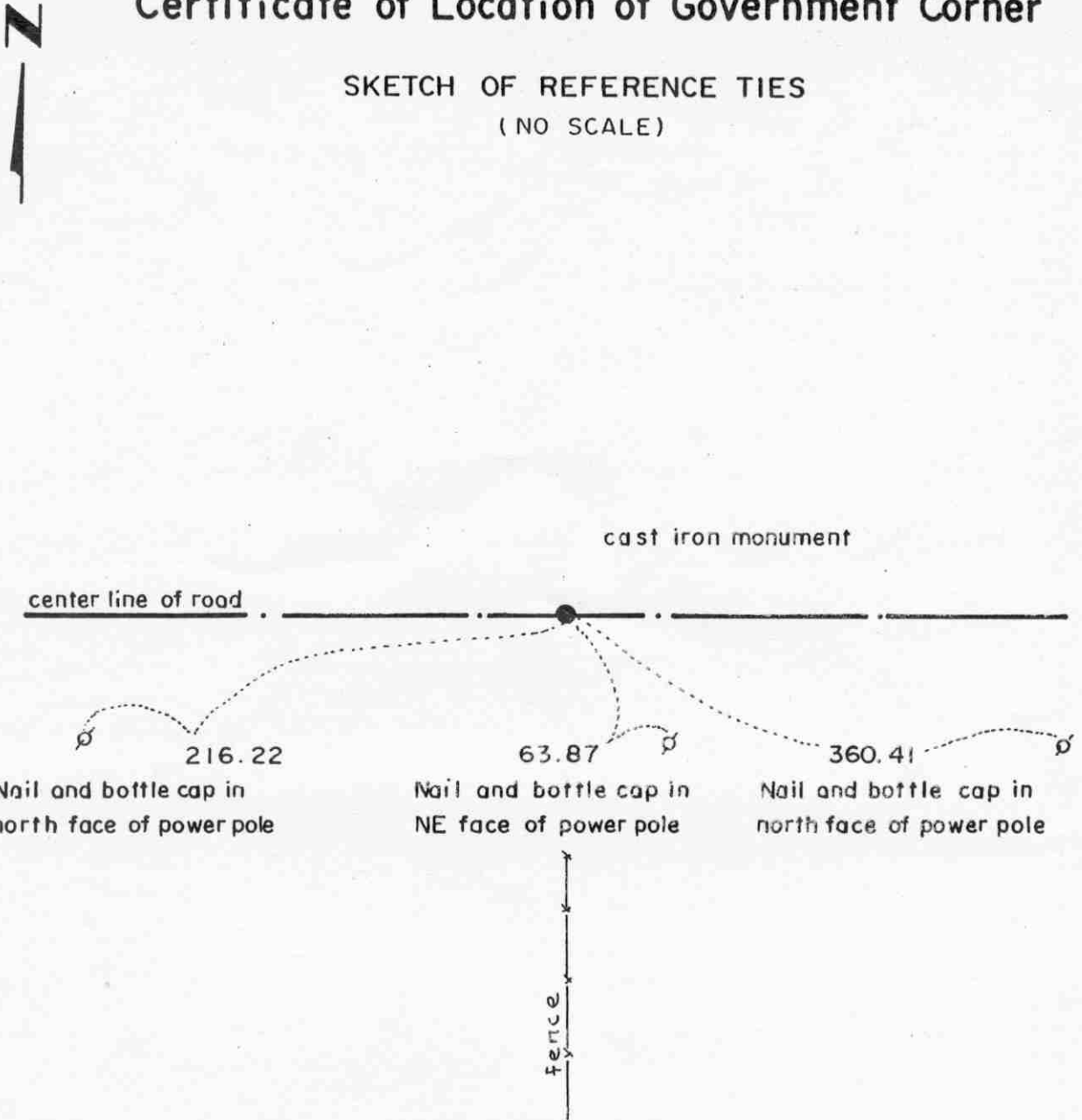
May 6, 1988. We found the monument in good condition and found it to be on the standard parallel and we measured 507.64 feet to the southwest corner of Section 33.

January 3, 1995. We took new reference ties to the monument.

NORTH QUARTER corner, Section 5, Township 116 North, Range 27 West

Certificate of Location of Government Corner

SKETCH OF REFERENCE TIES (NO SCALE)



Statement of evidence relative to this corner location on sheet 2

I hereby certify that this document was prepared by me or under my direct supervision.

Willard Pellinen
Willard Pellinen
McLeod County Surveyor
License No. 9626

Date Jan. 4, 1995

OFFICE OF THE COUNTY RECORDER
MCLEOD COUNTY, MINNESOTA.

I hereby certify that this document was filed in this office at 9 o'clock A.M. on the 10th day of January, 1995.

Carmen Helie Muller, County Recorder

By _____, Deputy

Document No. 263631

NORTH QUARTER corner, Section 5, Township 116 North, Range 27 West

Certificate of Location of Government Corner

November 22, 1968. McCombs Knutson Associates (Dickman Knutson, county surveyor) set a temporary corner at the intersection of the east-west road and a fence to the south.

1970. Knutson dug for the corner, John Tupa from Hutchinson with a backhoe. Down below the original road bed they found a stone and a wood stake. They took reference ties and set a McLeod County cast iron monument. Mrl Ortwin Seamann, road boss when the road was rebuilt, said he found a stone at most of the government corners along this road.

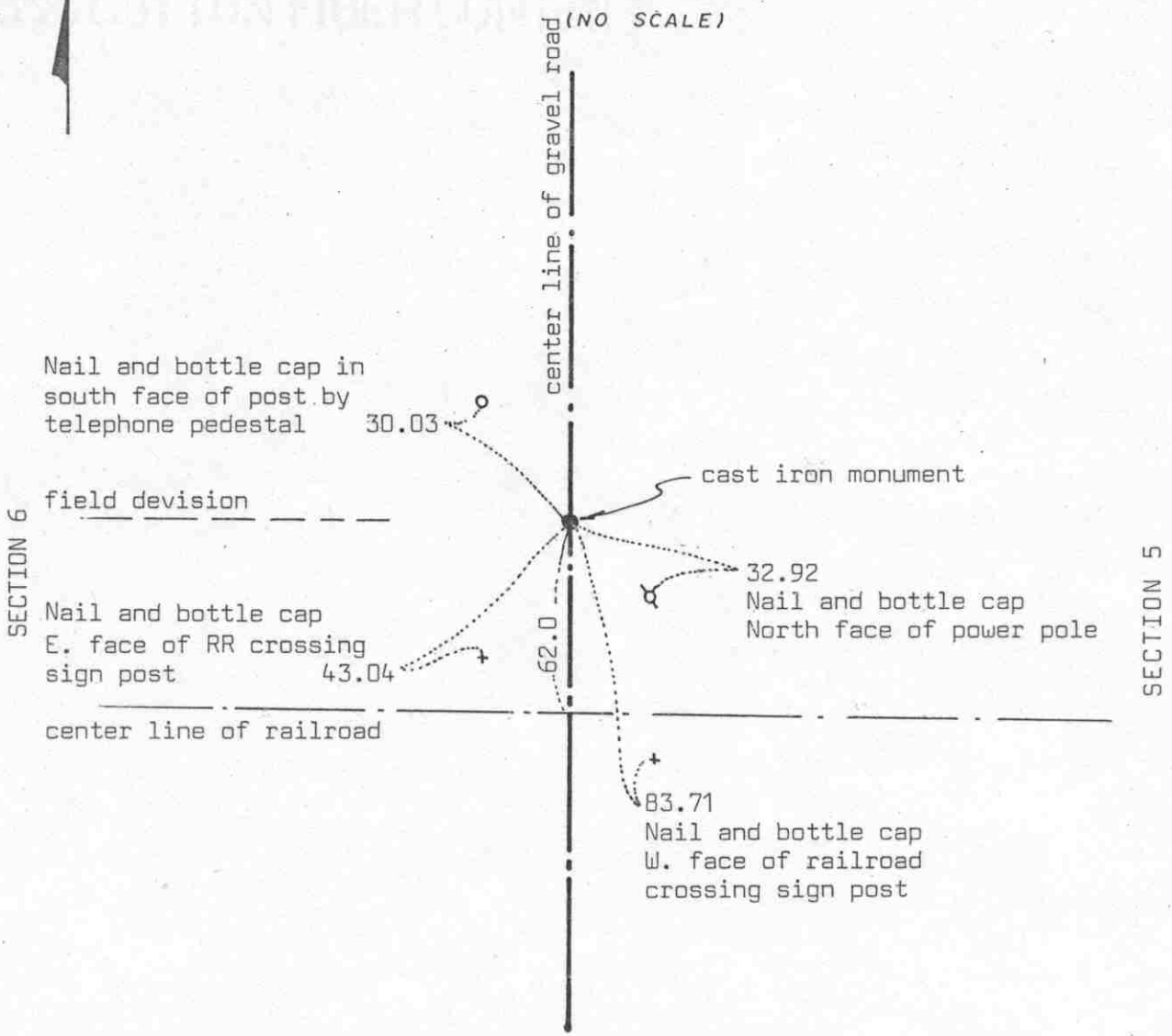
January 3, 1995. We took new reference ties to the monument.

Certificate of Location of Government Corner



SKETCH OF REFERENCE TIES

(NO SCALE)



Statement of evidence relative to this corner location on sheet 2

I hereby certify that this document was prepared by me or under my direct supervision.

Willard Pellinen
 Willard Pellinen
 McLeod County Surveyor
 License No. 9626
 Date 3/24/90

OFFICE OF THE COUNTY RECORDER
 MCLEOD COUNTY, MINNESOTA.

I hereby certify that this document was filed in this office at 4 o'clock P.M. on the 4th day of April, 1990.

Carmen Ostlie, County Recorder
 By _____, Deputy
 Document No. 232653

EAST QUARTER corner, Section 6, Township 116 North, Range 27 West

Certificate of Location of Government Corner

This corner was established in 1856 by E.N. Darling of the Government Land Office. He set post and had reference ties to 2 bearing trees.

1975. McCombs Knutson Associates (Dickman Knutson, county surveyor) dug for this corner but found nothing.

April 10, 1978. Knutson set a McLeod County cast iron monument 62.0 feet north of the center line of the railroad tracks as per railroad right of way map. This falls on the easterly extension of a field line to the west.

March 8, 1989. We found the monument in good condition but the reference ties destroyed. We took new ties.

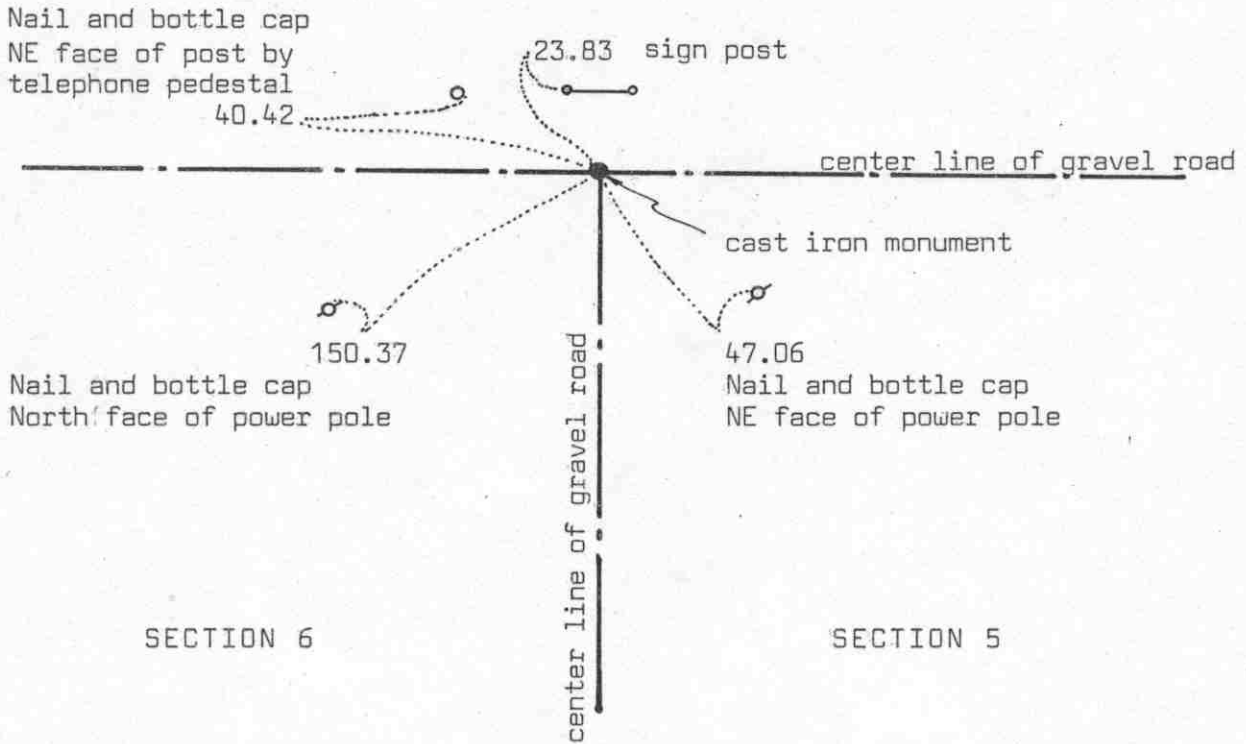
We accept the monument set by Knutson as marking the correct location of the quarter corner.

Certificate of Location of Government Corner



SKETCH OF REFERENCE TIES
(NO SCALE)

SECTION 32, T 117, R 27



Statement of evidence relative to this corner location on sheet 2

I hereby certify that this document was prepared by me or under my direct supervision.

Willard Pellinen

Willard Pellinen
McLeod County Surveyor
License No. 9626

Date 3/24/90

OFFICE OF THE COUNTY RECORDER
MCLEOD COUNTY, MINNESOTA.

I hereby certify that this document was filed in this office at 4 o'clock P.M. on the 4th day of April, 1990.

Carmen Ostlie, County Recorder

By _____, Deputy

Document No. 232654

NORTHEAST corner, Section 6, Township 116 North, Range 27 West

Certificate of Location of Government Corner

This corner was established by John Ryan of the General Land Office in 1855. He set a post and had reference ties to 2 bearing trees.

1968. McCombs Knutson Associates, Dickman Knutson, county surveyor, found a stone and wood stake at the corner. They replaced the stone with a McLeod County cast iron monument.

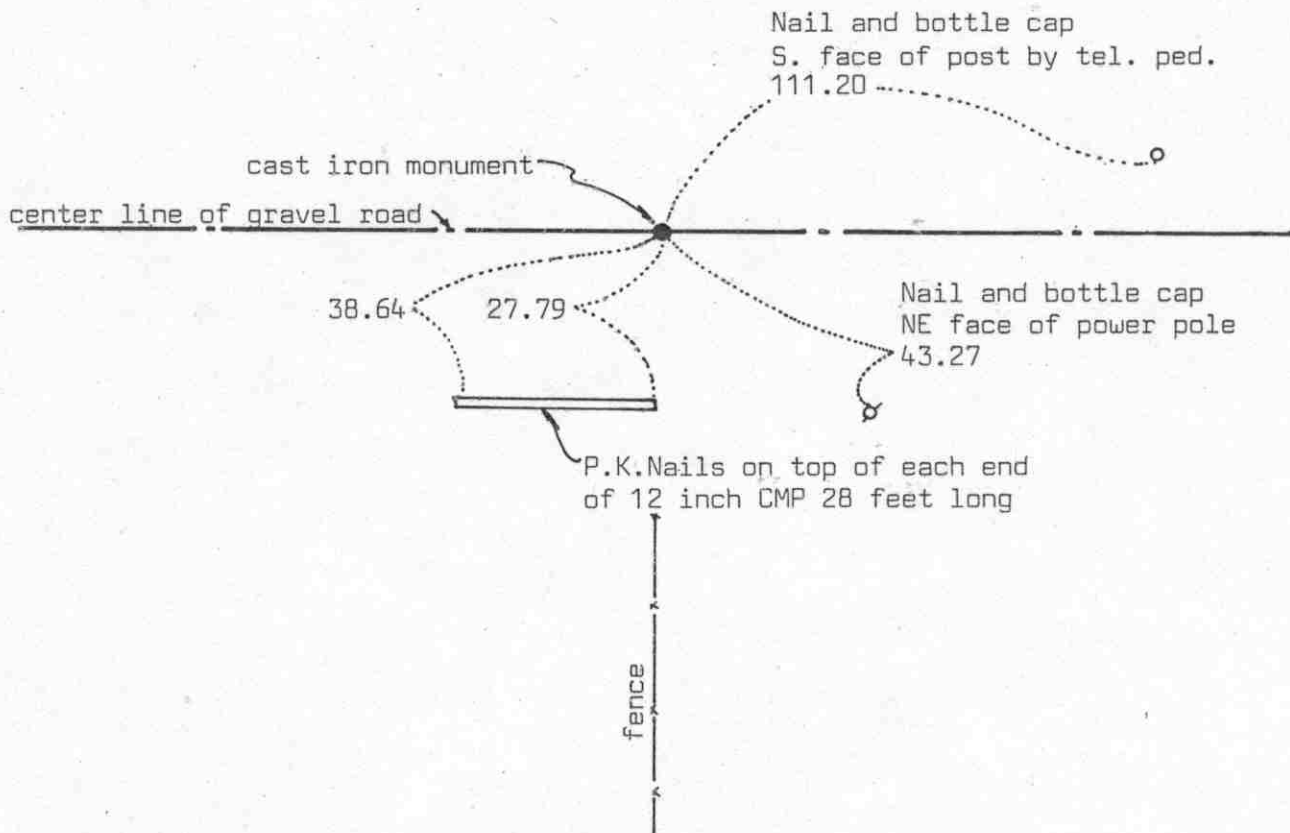
March 8, 1989. We found no ties remaining but found the monument in good condition 4 inches below the road surface. We took new reference ties.

We feel the stone and wood stake found by Knutson and later the monument set by Knutson have perpetuated the correct location of the section corner.

Certificate of Location of Government Corner



SKETCH OF REFERENCE TIES
(NO SCALE)



Statement of evidence relative to this corner location on sheet 2

I hereby certify that this document was prepared by me or under my direct supervision.

Willard Pellinen

Willard Pellinen
McLeod County Surveyor
License No. 9626

Date 3/25/90

OFFICE OF THE COUNTY RECORDER
MCLEOD COUNTY, MINNESOTA.

I hereby certify that this document was filed in this office at 4 o'clock P.M. on the 4th day of April, 1990.

Carmen Potlie, County Recorder

By _____, Deputy

Document No. 232652

NORTH QUARTER corner, Section 6, Township 116 North, Range 27 West

Certificate of Location of Government Corner

1970. McCombs Knutson Associates, Dickman Knutson, county surveyor, found a stone down below the gravel road in original ground. Mr. Ortwin Seaman, road boss when the road was rebuilt, said there are stones at most of the corners along this line.

March 8, 1989. We found the old reference ties had been destroyed. We dug and found the cast iron monument set by Knutson down 5 inches below the road surface, in good condition. We took new available reference ties.

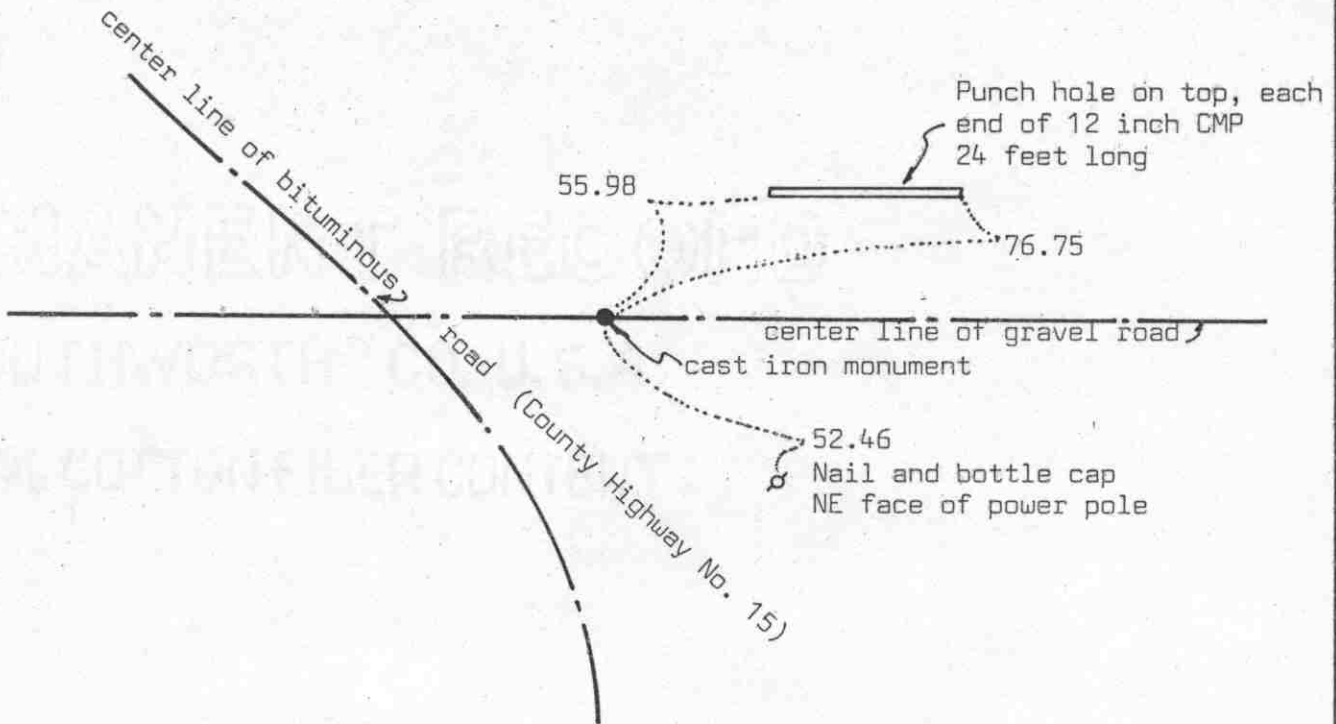
We feel the stone found by Knutson has perpetuated the correct location of the quarter corner.

Certificate of Location of Government Corner



SKETCH OF REFERENCE TIES

(NO SCALE)



Statement of evidence relative to this corner location on sheet 2

I hereby certify that this document was prepared by me or under my direct supervision.

Willard Pellinen

Willard Pellinen
McLeod County Surveyor
License No. 9626

Date 4/1/90

OFFICE OF THE COUNTY RECORDER
MCLEOD COUNTY, MINNESOTA.

I hereby certify that this document was filed in this office at 4 o'clock P.M. on the 4th day of April, 1990.

Carmen Ostlie, County Recorder

By _____, Deputy

Document No. 232650

NORTHEAST corner, Section 1, Township 116 North, Range 28 West

Certificate of Location of Government Corner

This corner was originally established by the Government Land Office in 1855. John Ryan set a post and took reference ties to 2 bearing trees.

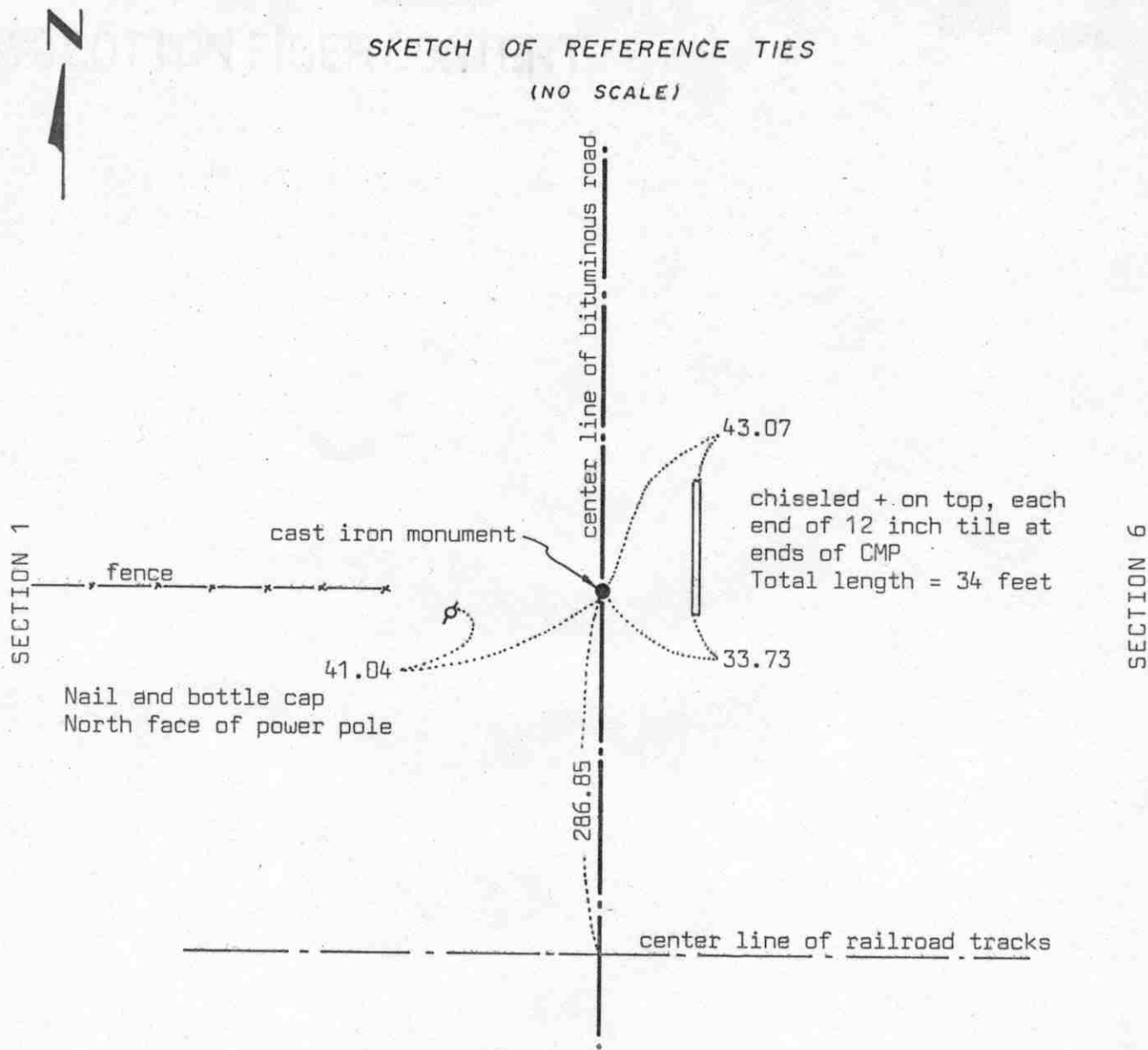
1969. McCombs Knutson Associates, Dickman Knutson, county surveyor, dug for the corner and found a stone. This was within 10-12 feet of the government distance to the southwest corner of Section 31, T.117, R. 30. Knutson set a cast iron monument and took reference ties. Ortwin Seaman, road boss when this road was rebuilt, said they found stones at most of the corners along this line.

March 8, 1989. We found no reference ties remaining. We dug and found the corner down 6 inches below the road surface and took new reference ties.

We accept the monument set by Knutson as the correct location of the section corner because it perpetuates the location of the stone which we feel marked the corner.

Certificate of Location of Government Corner

SKETCH OF REFERENCE TIES
(NO SCALE)



Statement of evidence relative to this corner location on sheet 2

I hereby certify that this document was prepared by me or under my direct supervision.

Willard Pellinen

Willard Pellinen
McLeod County Surveyor
License No. 9626

Date 2/10/90

OFFICE OF THE COUNTY RECORDER
MCLEOD COUNTY, MINNESOTA.

I hereby certify that this document was filed in this office at 3 o'clock P.M. on the 27th day of Feb, 1990.

Carmen Ostlie, County Recorder

By _____, Deputy

Document No. 232083

EAST QUARTER corner, Section 1, Township 116 North, Range 28 West

Certificate of Location of Government Corner

This corner was originally set in 1855 by the General Land Office. John Ryan set the quarter section post at the south edge of a wet marsh and had reference ties to 2 bearing trees.

December, 1968. McCombs Knutson Associates (Dickman Knutson, county surveyor) measured the east line of Section 1 and set a temporary quarter corner on the center line of the road in line with fences east and west.

May, 1969. Knutson found an iron pin which was set over a stone. This was very close to their temporary corner. They set a McLeod County cast iron monument in place of the iron pin and stone and took reference ties.

July 23, 1987. We found the cast iron monument down 7 inches below the road surface, but all the reference ties were destroyed. We took new reference ties.

March 7, 1989. We found the monument in good condition and the reference ties good.

This corner is about 25 feet north of the proration of the government distances between the section corners.